



PHOTON

Ultra Low Light / 4K Ultra Hi-Def Night Vision Camera



Key Features:

- 4K Resolution (3840 x 2160) - 8.3MP
- Ultra Low Lux: 0.0003
- Full Colour Video in Starlight Conditions
- Remote Viewing
- Soft White LED for Enhanced Short-Range Illumination (100ft)
- 12mm & 2.8mm Lens Options
- PoE (IEEE802.3af)
- Compatible with Leading Chart-Plotters
- Multiple Streams
- EN60945 EMC Compliant
- NDAA Compliant
- ONVIF Compliant
- Environmental Rating: IP67
- Low Cost
- Easy Installation

Applications:

- Leisure & Commercial Marine
- Emergency & First Responders
- Commercial & Sports Fishing
- Off Road & Overlanding Vehicles
- Situational Awareness Aid
- Back-Up, Tender Monitoring and Forward Vision

Introducing the ground-breaking new Photon Ultra Hi-Def / Ultra Low Light Night Vision Camera from Iris, available in 12mm and 2.8mm lens options for long range and wide angle applications.

Photon uses state of the art video processing technology combined with AI analytics to enhance its ultra high definition 4K (3840 x 2160) output, producing full colour, realtime (25Hz) video in virtually pitch black conditions. Even in moonless skies, with just the faintest starlight, Photon's cutting edge processor analyzes each of its 8.3 million pixels, dynamically boosting and enhancing the output stream.

In addition to the camera's dynamic video processing, an integrated soft white LED illuminator is included to enhance visibility at short range.

Designed to overcome the shortcomings of expensive thermal imaging cameras, Photon is not bound by strict export controls, doesn't struggle in low thermal contrast scenarios, and isn't affected by lead time issues accentuated by geopolitical conflicts.

The camera's staggering ultra high definition output instantly adds value to leading chart-plotters offering 4K support, such as Garmins' superb 9000 series range*. Even if your display can't offer UHD, Photon can be configured to output video as required.

As the camera is powered via IEEE802.3af Power over Ethernet (PoE), installation couldn't be simpler, requiring a single CAT5 cable, and just 4 drill holes (plus cable entry).

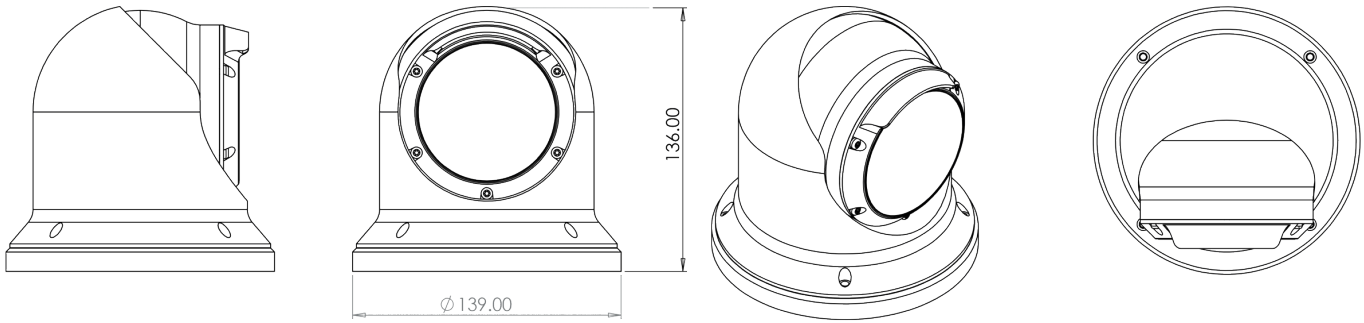
If you need to run at night and don't want the hassle or price tag of a thermal camera, Photon takes the heat out of night vision and leads the way!





PHOTON

Ultra Low Light / 4K Ultra Hi-Def Night Vision Camera



Sensor	1/1.2" CMOS Sensor
Resolution	8MP (3840*2160)@ 30/25fps; 5.3MP (3072*1728)@ 30/25fps; 3.6MP (2560*1440) @30/25fps; 2MP (1920*1080) @30/25fps; 720P (1280*720), Max 30/25fps;
Protocols	IPv4, IPv6, IGMP, ICMP, ARP, TCP, UDP, DHCP, PPPoE, RTP, RTSP, RTCP, RTMP, DNS, DDNS, NTP, FTP, UPnP, HTTP, HTTPS, SMTP, 802.1x, SNMP, QoS, SSL/TLS, SSH, ONVIF (Profile S, Profile G, Profile T, Profile M)
Compression	U265, H.265, H.264, MJPEG
Minimum Illumination	Colour: 0.0003 lux (F1.0, AGC ON)
Shutter	Auto/Manual 1 to 1/100000 s
Adjustment Angle	Pan: 0° ~ 360° / Tilt: TBC - Manual Adjustment
S/N	>56 dB
WDR	130dB
Lens	12mm (Standard) / 2.8mm (Option)
Iris Type	Fixed
Iris	F1.0
Field of View	12mm Model: 54° (H) x 30.7° (V) x 63° (D) / 2.8mm Model: 105° (H) x 56.1° (V) x 121° (D)
Web Browser Compatibility	With Plugin: IE 10+, Chrome 45+, Firefox 52+, Edge 79+ / Without Plugin: Chrome 57+, Firefox 58+, Edge 16+
Power	DC12V ±25%, PoE IEEE802.3af / Max 6.0W
Security	NDAA Compliant
Operating Temperature	-20 °C ~ +60 °C
Environmental	EN60529 IP67
EMC / Safety	EN60945 Sections 9 & 10, EN55032, EN6100033, EN50130 / EN623681
Weight & Dimensions	1.2KG / 139mmø x 150(h)

Specifications Subject to Change Without Prior Notice E&OE