

SHOCKWAVE

S5

S5

Shockwave S5-LW Suspension Base

Black: SW-05026-B • White: SW-05026-W



Shockwave S5-LW Suspension Base

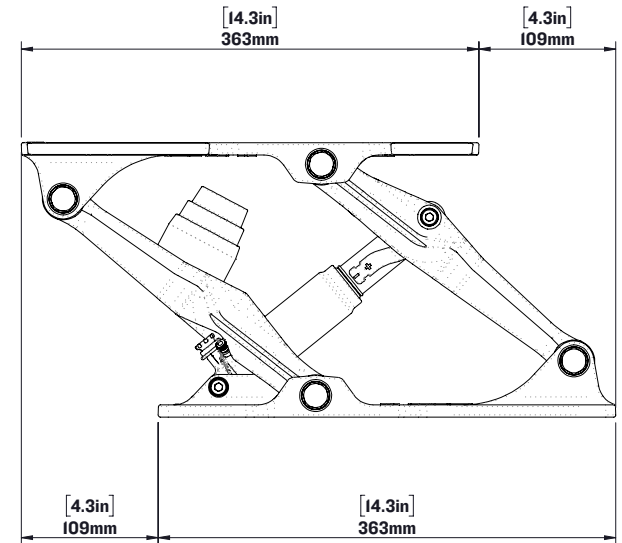
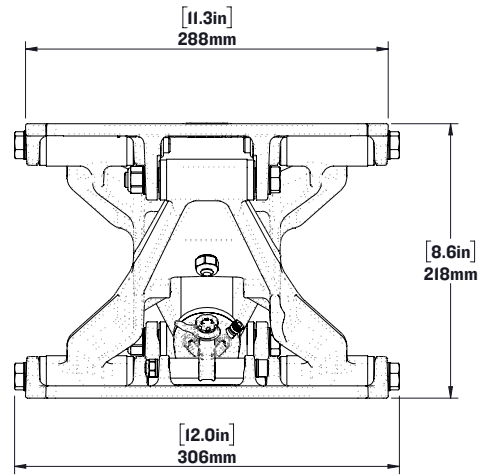
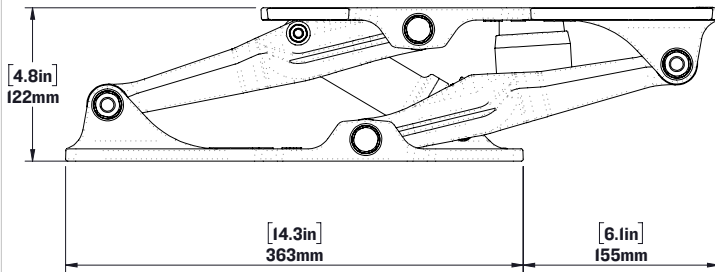
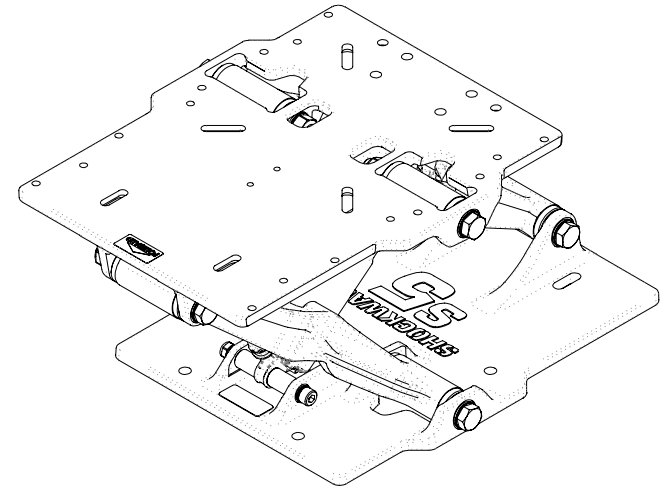
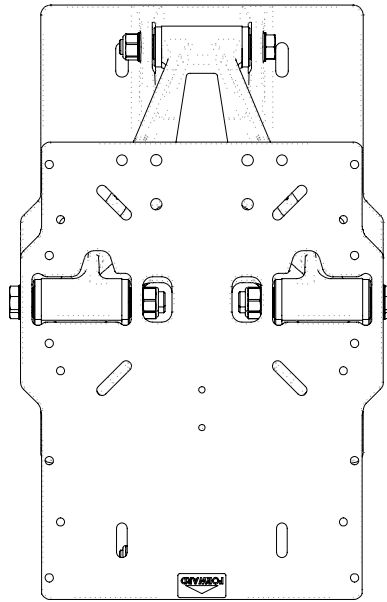
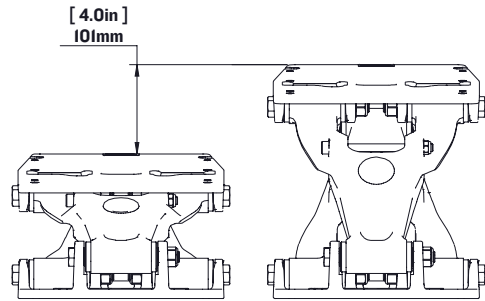
The Shockwave S5-LW lightweight marine suspension base is our entry-level recreational suspension option. Designed to mitigate the shock of wave impact in light seas on freshwater lakes or cabin boats on the ocean. Constructed using anodized cast A360 aluminum with an alodine treatment and polyester powder coat finish.

LEARN MORE ABOUT OUR PRODUCTS AT
SHOCKWAVESEATS.COM

TRAVEL
4^{IN} 100^{mm}



+1-778-426-8545
sales@shockwvaseats.com



NOTE:
OCCUPIED SEAT HEIGHT WILL BE [1.0in] 25mm LOWER THAN LISTED DIMENSION

SHOCKWAVE

FOR MORE INFORMATION
CALL US AT 1-778-426-8545
OR VISIT US ONLINE AT
WWW.SHOCKWAVESEATS.COM

PROPRIETARY AND CONFIDENTIAL

NOTICE: THIS DRAWING MAY REVEAL DESIGNS OR INFORMATION PROPRIETARY TO PROFESSIONAL COMPONENTS LTD. BY ACCEPTANCE OF REPRODUCTIONS, RECIPIENTS AGREE TO PROTECT PROFESSIONAL COMPONENTS LTD. RIGHTS AND ARE WARNED AGAINST USE OF THE DOCUMENT FOR ANY PURPOSE OTHER THAN THAT FOR WHICH IT WAS ISSUED.

SW-05026-B

S5-LW SUSPENSION BASE - BLACK

WEIGHT: [17.3 lbs] 7.86 kg

SCALE:1:6

SHEET 1 OF 1

REV: 12